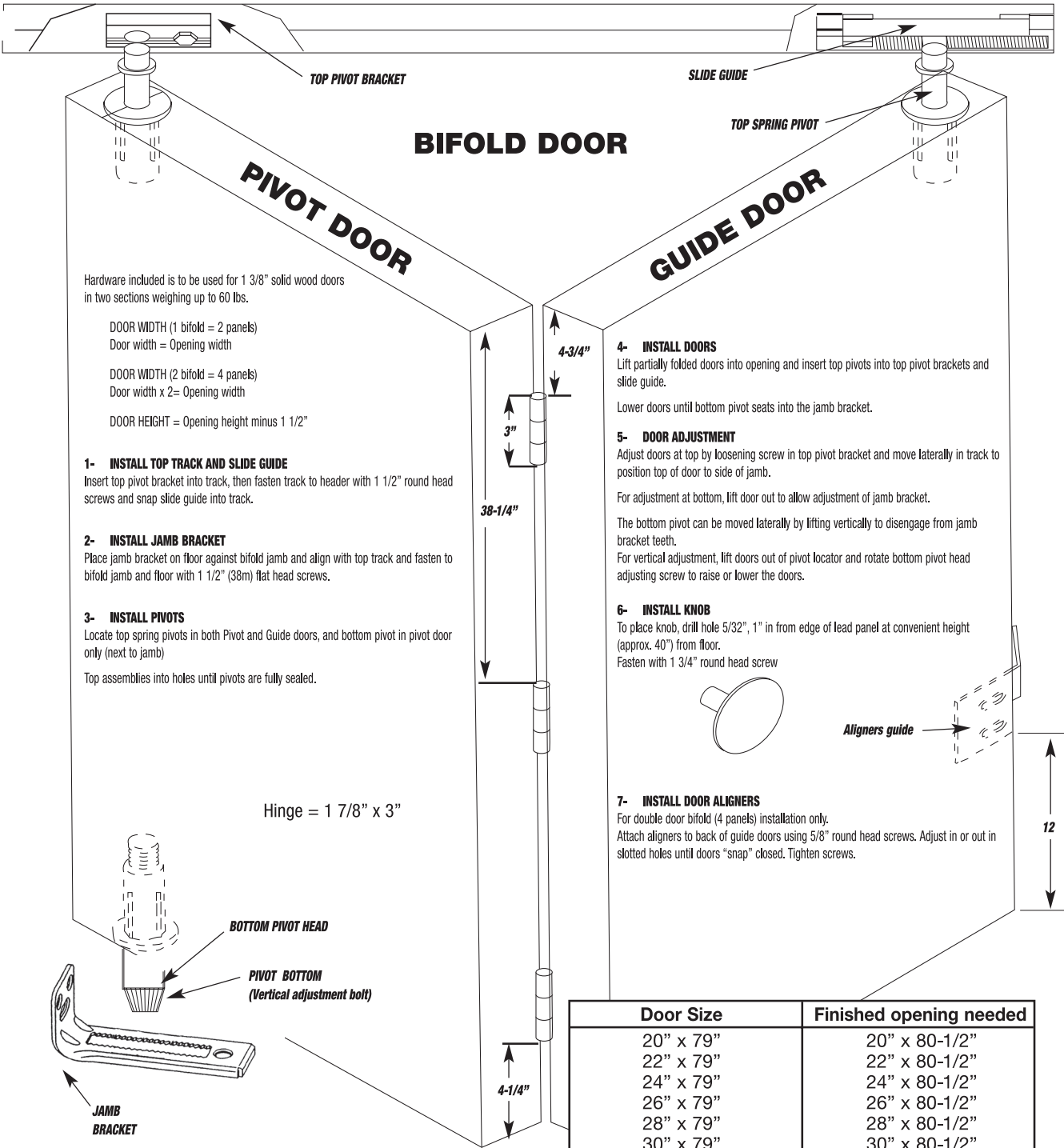


Bifold Door Installation



Hardware included is to be used for 1 3/8" solid wood doors in two sections weighing up to 60 lbs.

DOOR WIDTH (1 bifold = 2 panels)
Door width = Opening width

DOOR WIDTH (2 bifold = 4 panels)
Door width x 2 = Opening width

DOOR HEIGHT = Opening height minus 1 1/2"

1- INSTALL TOP TRACK AND SLIDE GUIDE

Insert top pivot bracket into track, then fasten track to header with 1 1/2" round head screws and snap slide guide into track.

2- INSTALL JAMB BRACKET

Place jamb bracket on floor against bifold jamb and align with top track and fasten to bifold jamb and floor with 1 1/2" (38m) flat head screws.

3- INSTALL PIVOTS

Locate top spring pivots in both Pivot and Guide doors, and bottom pivot in pivot door only (next to jamb)

Top assemblies into holes until pivots are fully sealed.

4- INSTALL DOORS

Lift partially folded doors into opening and insert top pivots into top pivot brackets and slide guide.

Lower doors until bottom pivot seats into the jamb bracket.

5- DOOR ADJUSTMENT

Adjust doors at top by loosening screw in top pivot bracket and move laterally in track to position top of door to side of jamb.

For adjustment at bottom, lift door out to allow adjustment of jamb bracket.

The bottom pivot can be moved laterally by lifting vertically to disengage from jamb bracket teeth.

For vertical adjustment, lift doors out of pivot locator and rotate bottom pivot head adjusting screw to raise or lower the doors.

6- INSTALL KNOB

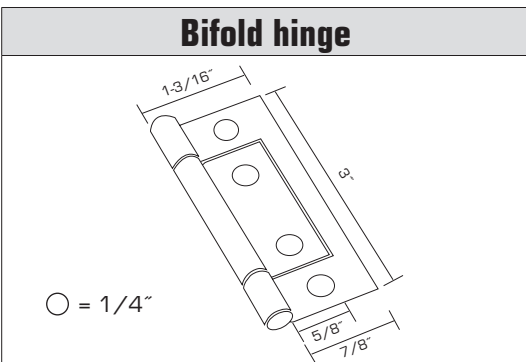
To place knob, drill hole 5/32", 1" in from edge of lead panel at convenient height (approx. 40") from floor.

Fasten with 1 3/4" round head screw

7- INSTALL DOOR ALIGNERS

For double door bifold (4 panels) installation only.

Attach aligners to back of guide doors using 5/8" round head screws. Adjust in or out in slotted holes until doors "snap" closed. Tighten screws.

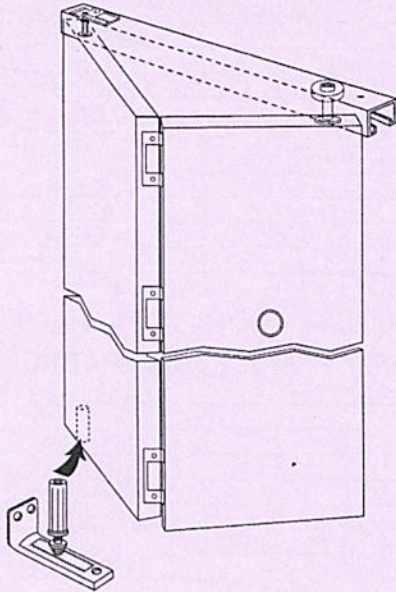


Door Size	Finished opening needed
20" x 79"	20" x 80-1/2"
22" x 79"	22" x 80-1/2"
24" x 79"	24" x 80-1/2"
26" x 79"	26" x 80-1/2"
28" x 79"	28" x 80-1/2"
30" x 79"	30" x 80-1/2"
32" x 79"	32" x 80-1/2"
34" x 79"	34" x 80-1/2"
36" x 79"	36" x 80-1/2"
48" x 79" (24" x 2)	48" x 80-1/2"
60" x 79" (30" x 2)	60" x 80-1/2"
72" x 79" (36" x 2)	72" x 80-1/2"

Visit Our Pro Tips at www.milette.com for advice and a video on installing a Bifold door.

30 lb. Panel Bifold

Reference to Stanley 2400/2900 Series; Johnson 1800 Series
For installation of 2 or 4, 7/8" to 1-3/8" thick panels weighing up to 30 lbs. each.



Finished Opening/Panel Dimensions

To determine panel width:

- Panel width = known finished opening width divided by number of panels, less 1/4"

To determine opening width:

- Opening width = known finished panel width plus 1/4," multiplied by number of panels

Door Height:

= 1-3/4" less than finished opening height

Features

- Spring loaded top pivot and roller guide for easy installation
- Permanently lubricated roller guide
- Durable pre-painted track
- All metal components galvanized against corrosion

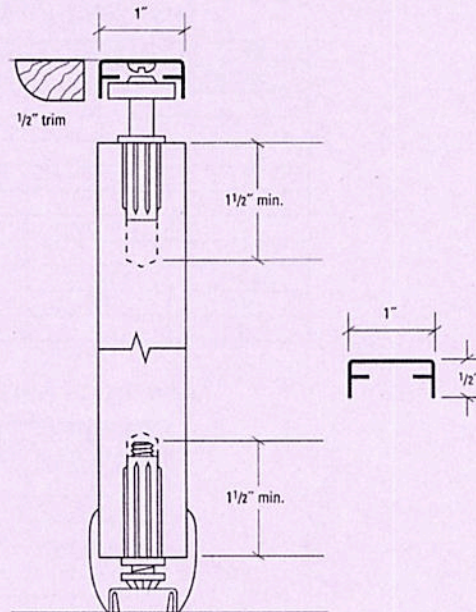
ANSI Reference

- Conforms to ANSI A156.14 type 08622

30 lb. Complete Packaged Track & Hardware; 7/16" Bore, 2900 Series

Set includes track, hardware and track joiner used for doubling up of 24", 30" and 36" bifold doors.




30 lb. Bifold Installation Detail






Track # 17034-BW or AB
(BW) Bright White finish
(AB) Architectural Brown finish







30 lb. Package Set Components

Top Guide Pivot/guide wheel – 3/8" Dia. Body (2400 Series)

Item	Case Qty.	P/N	
Top Pivot	200 ea.	64090	
Guide Wheel	200 ea.	64100	
Bottom Pivot	200 ea.	64110	

Top Guide Pivot/guide wheel – 7/16" Dia. Body (2900 Series)

Item	Case Qty.	P/N	
Top Pivot	200 ea.	64010	
Guide Wheel	200 ea.	64020	
Bottom Pivot	200 ea.	64030	

Jamb Bracket	200 ea.	64040	
Slide Guide	200 ea.	64060	
2 Dr. Snugger	200 ea.	64070	
4 Dr. Snugger	100 ea.	64080	
White Plastic Pull		64160	
Track Joiner			



www.johnsonhardware.com

INSTRUCTIONS

1700FD SERIES FOLDING DOOR HARDWARE

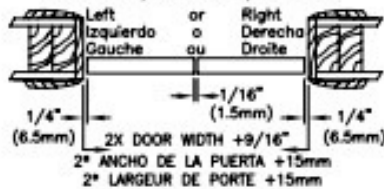
For 3/4" (19mm) to
1-3/4" (45mm) Panels
weighing up to 40 lbs. (18 kgs) each.
Para paneles de 19mm a 45mm
y de hasta 18kg cada uno.
Pour panneaux de
19mm a 45mm
pesant jusqu' à 18kg chacun.

**PREPARE OPENING CAREFULLY: MAKE SURE CORNERS ARE SQUARE,
HEADER IS LEVEL AND JAMBS ARE STRAIGHT.**

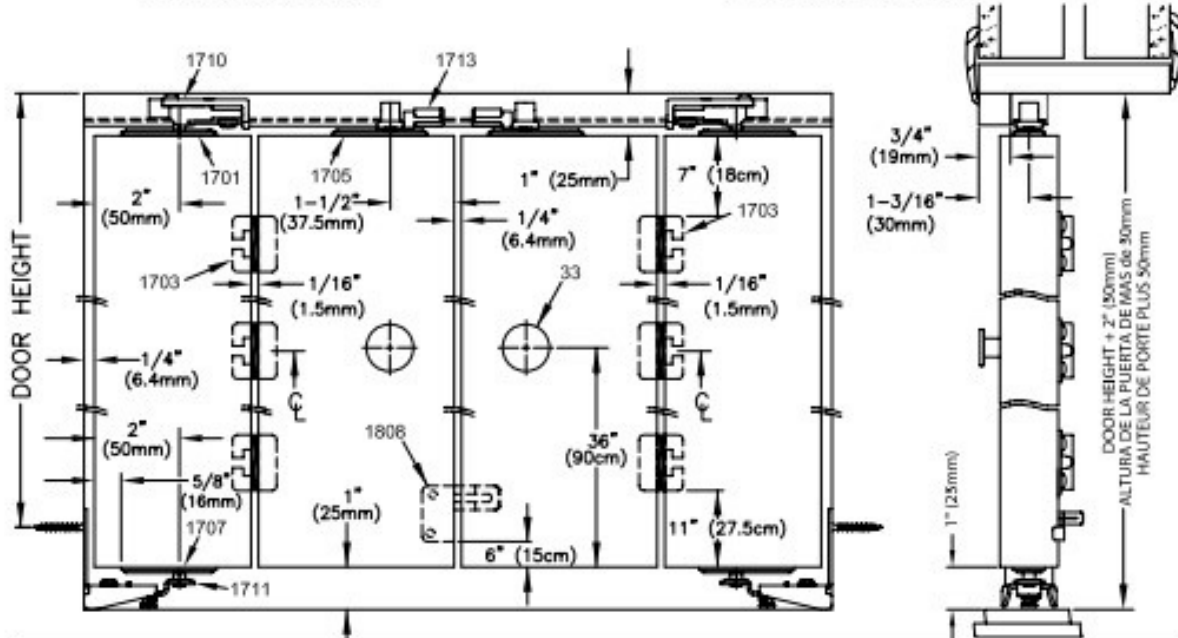
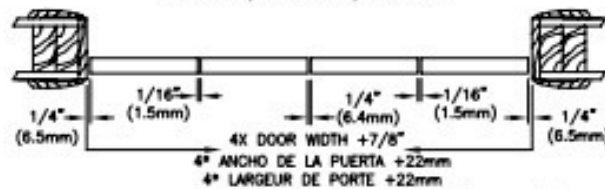
**PREPARE LA ABERTURA CON CUIDADO: ASEGÚRESE QUE LAS ESQUINAS, ESTÉN EN ESCUADRA,
QUE LA CABECERA ESTE NIVELADA, Y QUE LAS JAMBAS ESTÉN RECTAS.**

**PREPAREZ L'OUVERTURE AVEC PRECAUTION: ASSUREZ VOUS QUE LES COINS SONT A ANGLE DROIT,
QUE LE LINTEAU EST A NIVEAU ET QUE LES MONTANTS SONT DROITS.**

2 DOOR, PUERTA, PORTE



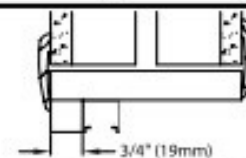
4 DOOR, PUERTA, PORTE



1 MOUNT TRACK 3/4" (19mm) from front edge of head jamb.

INSTALE EL RIEL a 19mm del borde de enfrente del encabezador de jamba.

MONTEZ LA GLISSIERE à 19mm du côté du montant frontal.

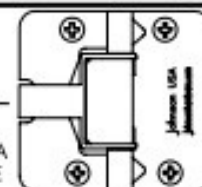


2 MOUNT HINGES (1703) on back of door. Lay panels face down on a flat surface.

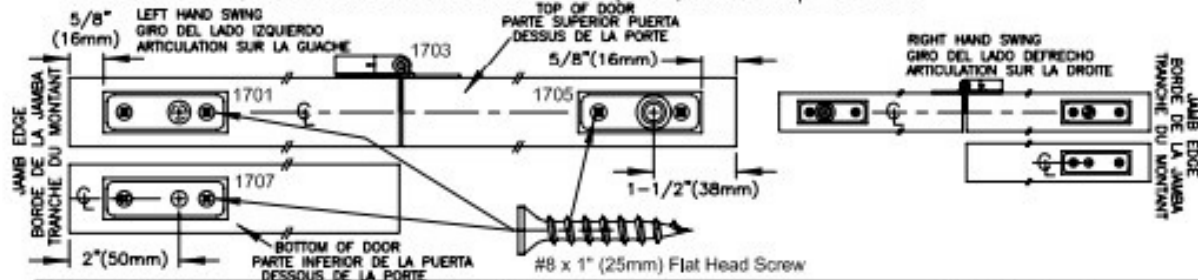
INSTALE LAS BISAGRAS (1703) en la parte trasera de la puerta.
Coloque los paneles boca abajo sobre una superficie plana.

MONTEZ LES CHARNIERES (1703) au derrière de la porte.
Posez les panneaux face arrière sur une surface plane.

JAMB DOOR
JAMBA DE LA PUERTA
MONTANT DE PORTE



- 3 FASTEN PIVOT PLATES** to top and bottom of doors as shown.
COLOQUE LAS PLACAS GIRATORIAS arriba y abajo de las puertas como se muestra.
FIXEZ LES PLAQUES DE PIVOT au haut et au bas des portes, comme indiqué ci-contre.



- 4 MARK LOCATION** of Jamb Bracket (1711) on jamb. Fasten 1711 in place with one #8 X 1-1/4" (32mm) flat head screw.

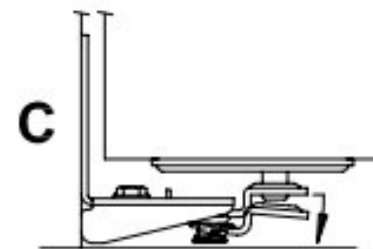
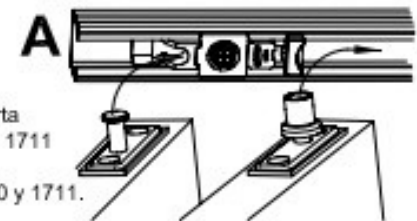
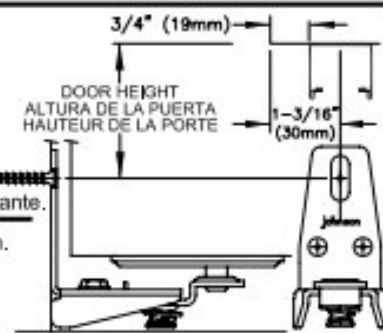
MARQUE EL SITO del Soporte de la Jamba (1711) en la jamba. Coloque el 1711 en su lugar con un tornillo de cabeza plana #8 X 32mm.

MARQUEZ LA POSITION du crochet de montant (1711) sur le montant correspondant. Fixez en place 1711 avec une vis No. 8 X 32mm à l'étape suivante.

- 5 HANG DOORS:** Make sure Track Pivot Lock (1710) is in the unlocked position. (A) Fold doors and insert 1705 into track groove. Place 1701 into receptor of 1710. (B) When firmly seated, slide tab lock toward pin. Door now should be hanging from 1701. (C) Depress 1711 pivot socket arm and insert 1707. If no vertical adjustment is needed, secure 1711 with other 2 screws. Use 1712 wrench for horizontal adjustment of 1710 and 1711.

CUELQUE LAS PUERTAS: Asegúrese que la cerradura giratoria del riel (1710) esté en la posición abierta. (A) Doble las puertas e inserte el 1705 en la ranura del riel. Coloque el 1701 en el receptor del 1710. (B) Cuando está bien asentada, haga deslizar la aleta de ajuste hacia el pasador. La puerta ahora debe estar colgada del 1701. (C) Oprime el brazo de la base del pivote 1711 e inserte el 1707. Si no necesita ningún ajuste vertical, asegure el 1711 con 2 tornillos más. Use la llave de tuercas 1712 para el ajuste horizontal del 1710 y 1711.

ACCROCHEZ LES PORTES: Assurez vous que le système de verrouillage du pivot dans le rail (1710) est dans la position ouverte. (A) Pliez les portes et insérez 1705 dans la rainure du rail. Placez 1701 dans le receptacle 1710. (B) Une fois le pivot fermement installé, glissez le crochet de fixation vers le pivot. La porte doit pendre maintenant de 1701. (C) Désengagez le bras de levier du pivot 1711 et insérez 1707. Si aucun ajustement vertical n'est nécessaire, fixez 1711 avec deux autres vis. Utilisez la def 1712 pour ajuster horizontalement 1710 et 1711.



- 6 MOUNT KNOB (33).** See drawing on front page.
MOUNT ALIGNER (1808) on back side of lead doors (4 door only).

INSTALE LA PERILLA (33). Vea dibujo en la página de enfrente.
INSTALE EL ALINEADOR (1808) en el lado trasero de las puertas de plomo. (en los juegos de 4 puertas solamente).

FIXEZ LA POIGNEE (33). Référez vous au schéma de la première page.
FIXEZ LE GUIDE (1808) au derrière des portes de tête (ensemble à 4 portes seulement).

- 7 ADJUST SNUBBER (1713)** Close doors, slide 1713 until it touches 1705. Open doors, move 1713 1/8" (3mm) closer to 1705 and tighten. Doors should "snap" shut yet open easily by a slight pull on the knob.

ADJUSTE EL FRENO AMORTIGUADOR (1713) Cierre las puertas, haga deslizar el 1713 hasta que toque puertas abiertas 1705, mueva el 1713 a 3mm más cerca del 1705 y ajústelo. Las puertas a deben cerrarse como resorte, pero deben abrirse fácilmente, jalando ligeramente la perilla.

ADJUSTEZ LAS AMORTISSEURS DE CHOCS (1713) Fermez les portes, glissez 1713 jusqu'à ce qu'il touche 1705. Ouvrez les portes. Déplacez 1713 de 3mm en direction de 1705 et fixez. Les portes doivent fermer avec un bruit sec mais s'ouvrent facilement en tirant légèrement sur la poignée.